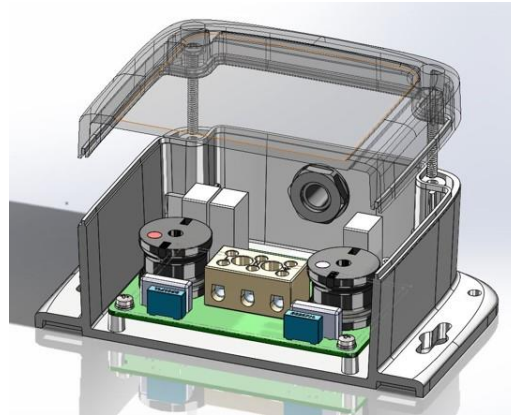


AXYS EOL v1.1



Main Features

- For use with either AXYS Industry Amplifier PB-400 or PB-800
- LED Indication of amplifier presence
- Wall or Ceiling mountable
- IP65 Rated
- Self resetting fault protection
- Ceramic terminal block



Product Overview

Both EOL networks are accommodated on a single board. A 3 terminal ceramic block is provided to connect the loudspeaker cable with one common connection and two separate branches for 150 Ohms (PB-800) and 75 Ohms (PB-400). A common LED indication is implemented to serve both circuits. PTC fuse restores after approximately 10 seconds to normal operation after tripping.