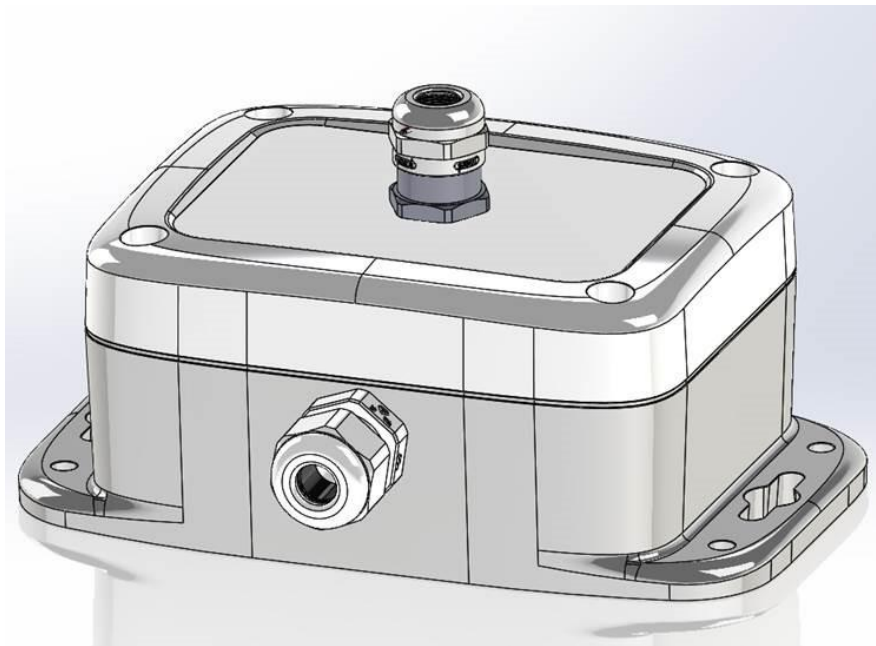


AXYS ANS v1.2

Main Features

- For use with either AXYS Industry Amplifier [PB-400](#), [PB-800](#) or [Octadrive-DSP](#) products
- Wall or Ceiling mountable
- IP65 Rated
- PG9 Gland for cable entry (4-8 mm diameter cables)
- Terminal Block for cable connection (Mic +, Mic -, Ground)



Product Overview

The Ambient Noise Microphone can be used together with the AXYS Industry Amplifier [PB-400](#), [PB-800](#) or [Octadrive-DSP](#) range of products as an ambient noise source for use as Autogain on the product outputs, the ANS microphone input on these products can also be broadcast as a Dante transmission from these products. A three connection screw type terminal block is provided to connect the microphone cable to the microphone. The terminal block will accommodate 0.05 – 1.31 mm² [30 – 16 AWG] size wire.