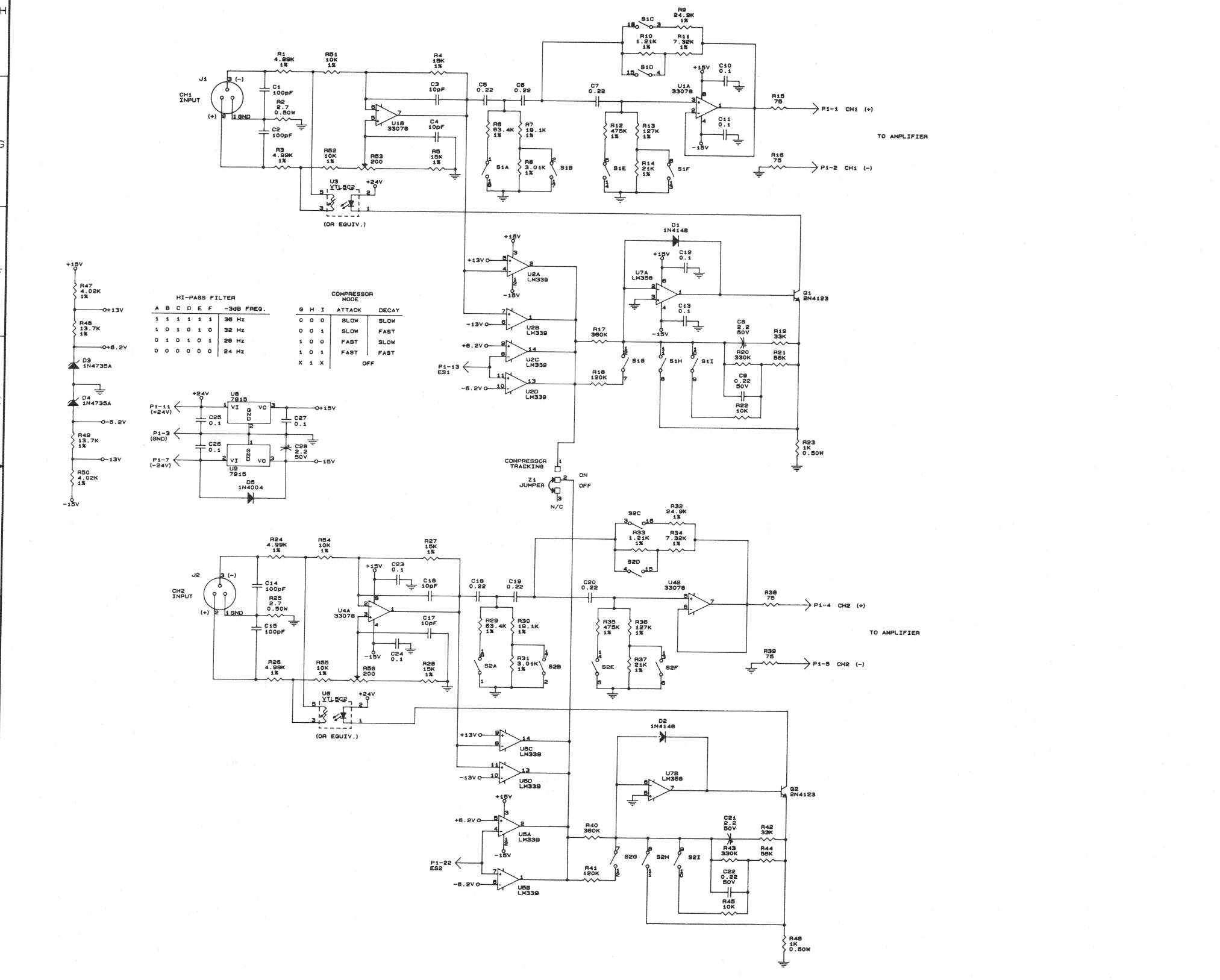


E.C.N.	ZONE	REV	DESCRIPTION	DATE	BY	APPROVAL
		(A)	ADDED R81-R86 TO REPLACE RESISTOR NETWORKS. R4, R5, R27, AND R28 WERE 4.99K 1%.	11-18-82	KLM	



HI-PASS FILTER						
A	B	C	D	E	F	-3dB FREQ.
1	1	1	1	1	1	36 Hz
1	0	1	0	1	0	32 Hz
0	1	0	1	0	1	28 Hz
0	0	0	0	0	0	24 Hz

COMPRESSOR MODE			
G	H	I	ATTACK DECAY
0	0	0	SLOW SLOW
0	0	1	SLOW FAST
1	0	0	FAST SLOW
1	0	1	FAST FAST
X	1	X	OFF

LAST USED	OBSOLETE
C28	
D5	
J2	
N2	
P1	
Q2	
R26	
S2	
U8	

NOTES:
 1. ALL RESISTORS ARE IN OHMS, 1/4W, 5% UNLESS OTHERWISE SPECIFIED.
 2. ALL CAPACITORS ARE IN MICROFARADS UNLESS OTHERWISE SPECIFIED.

CROWN INTERNATIONAL, INC.
 1718 WEST HISHAWAKA ROAD ELKHART, IN. 46517 PHONE (219) 294-8000

SCM, PIP-EDC

PRINTS TO	8
DRAWN	KLM 08-12-81
CHECKED	HE
SCALE	NONE
PROJ #	D281
NEXT ASSEMBLY	

APPROVED BY:	DO NOT SCALE PRINT
EE	SUPERSEDES X4484 02-20-80
PE	E.C.N.
11-25-82	C.P.N.
J0475-4	REV (A)