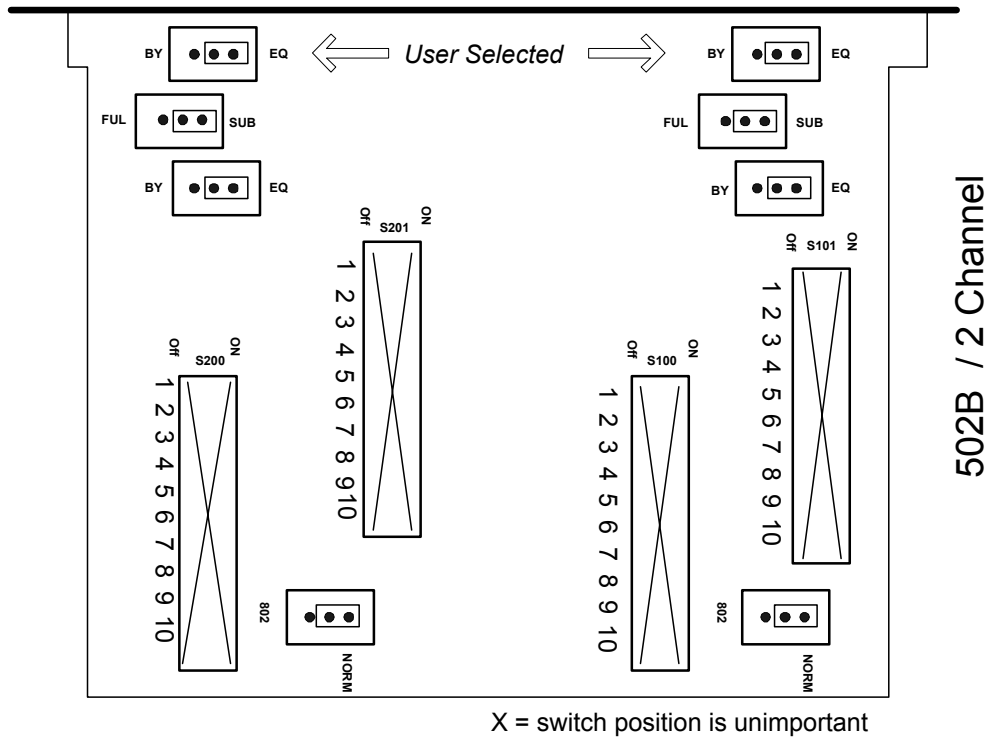


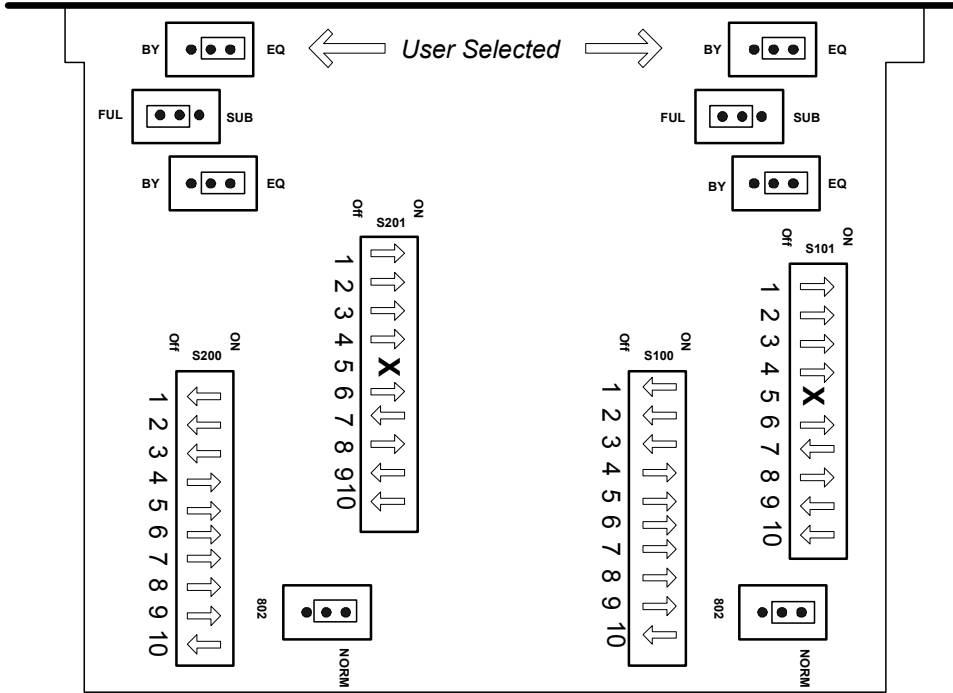
CROWN PIP-BEQ Quick Reference Setup Guide

This guide is a supplement to the PIP-BEQ Reference Manual. It is intended to show proper switch and jumper settings for several combinations of Bose speaker models. It does not show every possible combination or Bose model.

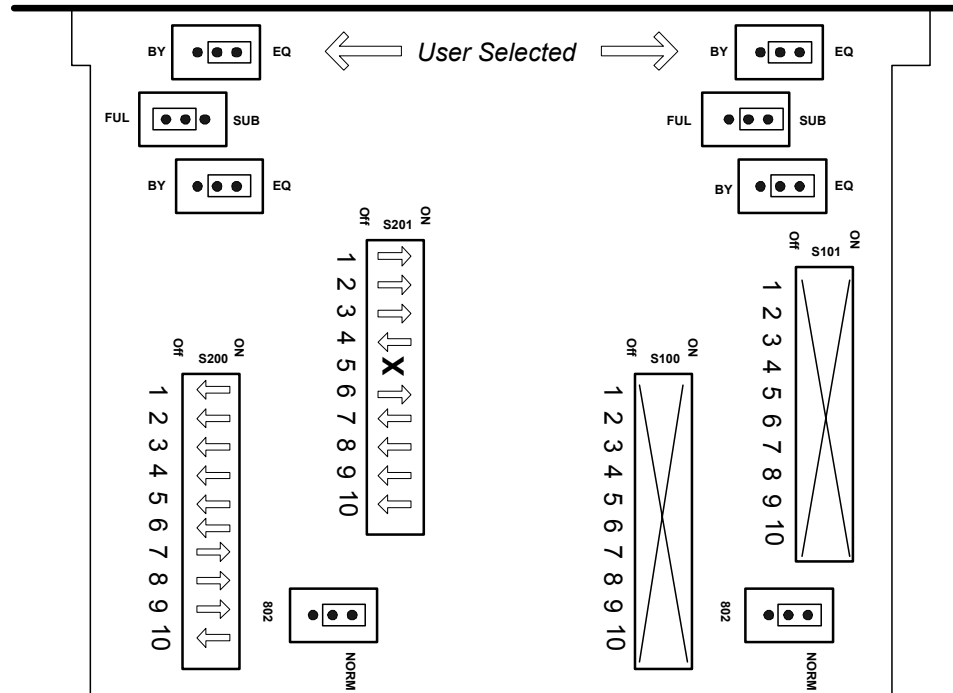
- ☑ The top jumper for the Daisy Chain jack is user selectable. This jack is either Full range or the same response as selected for that channel.
- ☑ For further information on the PIP-BEQ module please refer to the Owners Manual.



Crown International, Inc.
 PO Box 1000 Elkhart, IN 46515-1000
 ph. 800-6939/219-294-8200
 Fax: 219-294-8301
<http://www.crownintl.com>

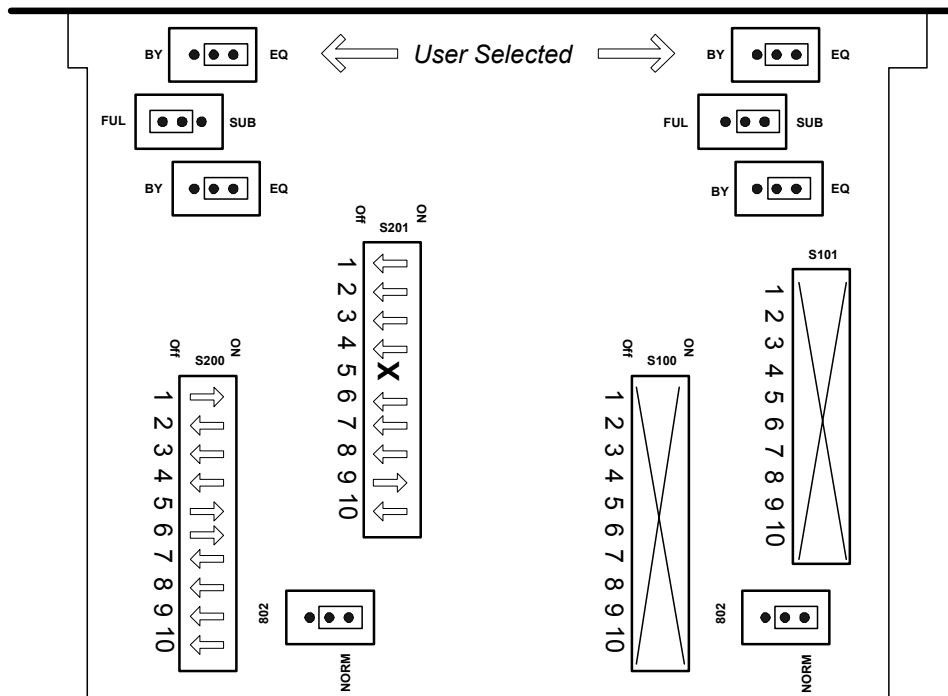
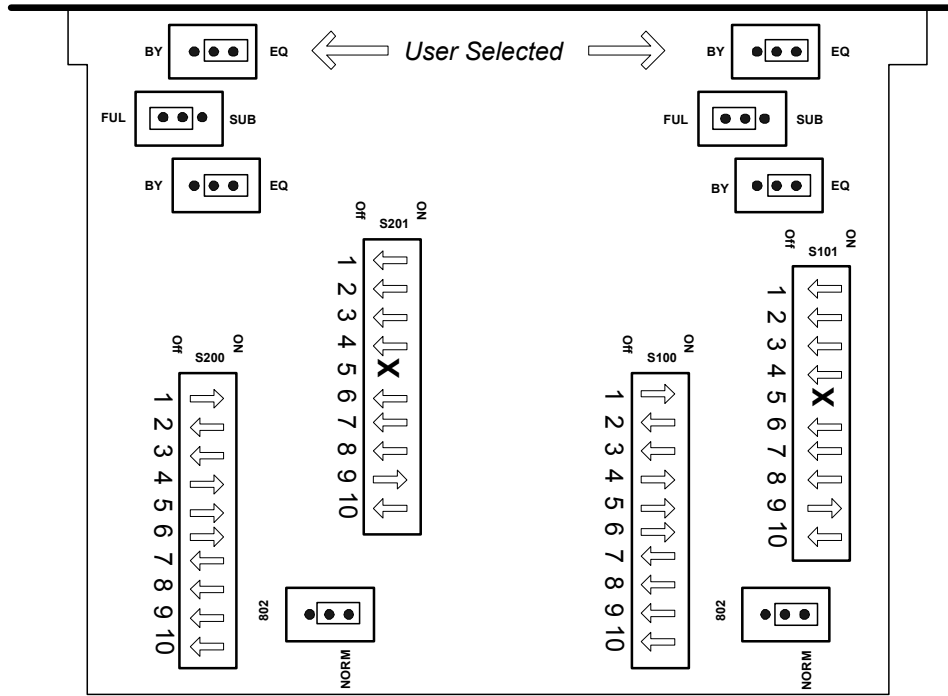


402 Full Range / 2 Channel

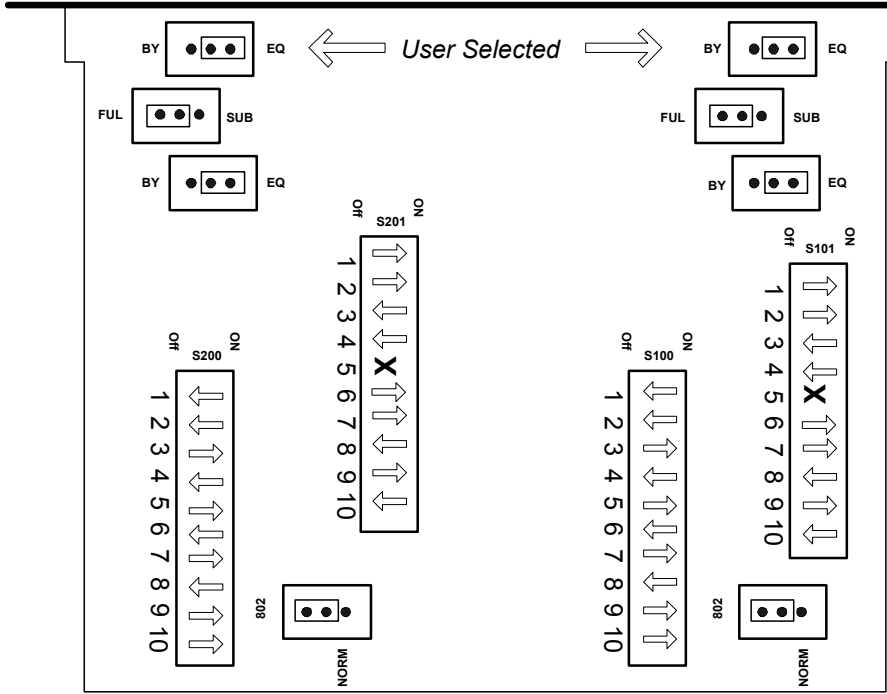


402 Biamped w/ 502B

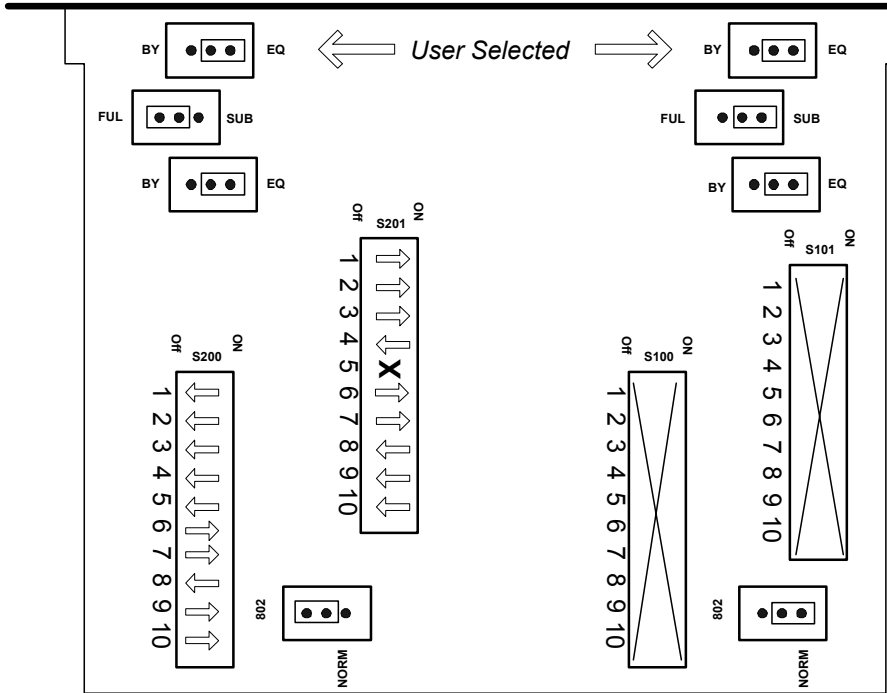
X = switch position is unimportant



X = switch position is unimportant



802 Full Range / 2 Channel



802 Biamped w/ 502B

X = switch position is unimportant