

Alero 8 Zone Power Amplifier

ALR-AMP (FG1104-01)



Overview

AMX's Alero Power Amplifier features 16 distribution channels of true audiophile quality sound and highly efficient, heat-dissipating Class D power amplification – all smartly designed to fit into a compact 1RU chassis. Alero perfectly complements the AMX Precis DSP for a completely unified, whole-home distributed audio source switching and amplification solution.

Whether you are listening to music in your home theater, your kitchen or by the pool – the experience is the same – life changing. AMX equipped Alero with the same switching amplification technologies by ICEpower®, an independent subsidiary of Bang & Olufsen a/s, that are also used by several of the world's premium home audio and automotive audio manufacturers. And it's engineered to perform as well as it sounds.

Common Applications

The Alero Power Amplifier is ideal for discerning audiophiles who demand the highest quality of multi-room distributed audio.

Features

- **Audiophile Performance** – Features the same switching amplification technologies by ICEpower® that are also used by several of the world's premium home audio and automotive audio manufacturers
- **16 Channels at your Beck and Call** – No matter how large or far reaching the property, you have 16 channels available for all kinds of zoning configurations
- **Available Output Power** – 40 watts per channel at 8 ohms / 160 watts at 8 ohms bridged
- **More Room in the Rack** – At just 1RU high, Alero offers you the ability to install more components in the same rack space
- **Cool Running** – Class D amplifier technology ensures efficient heat dissipation and low power consumption

Specifications

GENERAL	
Enclosure	Metal with black matte finish
Dimensions (HWD)	1 7/8" x 16 11/16" x 9 5/16" (48 mm x 424 mm x 236.29 mm)
Weight	7.7 lbs (3.5 kg)

Regulatory Compliance	FCC CE UL IEC PSE C-TICK
Included Accessories	IEC Power Cable Rack Mount Ears
Optional Accessories	Precis DSP, 8x8 / 18x18 Stereo Audio with RCA and DVC Matrix Switcher (FGP37-0808/1818/OOP)

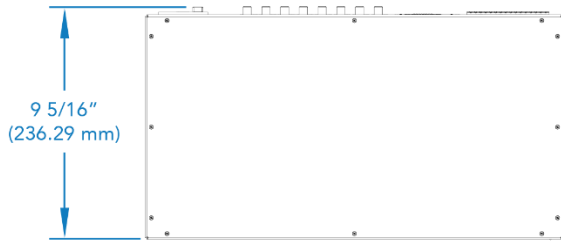
ACTIVE POWER REQUIREMENTS	
Power Consumption	Standby: <0.25W
Power Connector	IEC 85Vac – 264Vac, 45 -65Hz

ENVIRONMENTAL	
Temperature (Operating)	32° to 113° (0° to 45° C)
Temperature (Storage)	32° to 158° (0° to 70° C)
Humidity (Operating)	0 to 85% non-condensing
Heat Dissipation (Typical)	100 W / 341 BTU/hr, max output all channels driven
Heat Dissipation (Standby)	0.23W / 0.8 BTU/hr

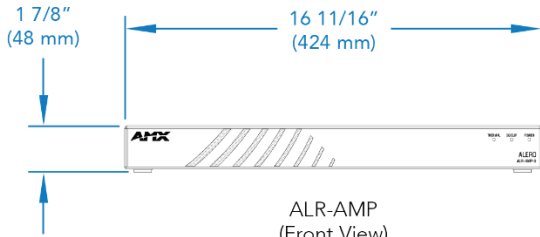
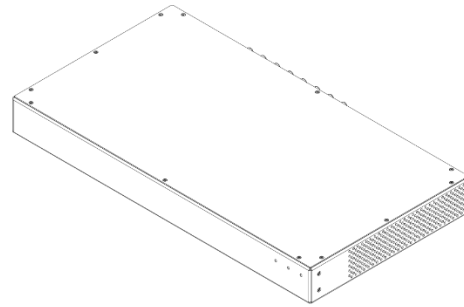
AUDIO 120 VAC	
Output Power @ 0.1%THD+N (20Hz < f < 20kHz)*	R _L = 4 Ω SE, 2 Channels; 80 W (typical) R _L = 4 Ω SE, 8 Channels; 50 W (typical) R _L = 4 Ω SE, 16 Channels; 25 W (typical)
Output Power @ 1%THD+N (f =1kHz)*	R _L = 4 Ω SE, 1 Channel; 100 W (typical) R _L = 8 Ω SE, 1 Channel; 1x1W 0.001% THD+N R _L = 8 Ω SE, 1 Channel; 1x10W 0.003% THD+N R _L = 8 Ω SE, 1 Channel; 1x50W 0.3% THD+N
Output Power @ 10%THD+N (f =1kHz)*	R _L = 4 Ω SE, 1 Channel; 130 W (typical)
THD+N	4 Ω SE, f = 100Hz, output power =1 W; 0.003% (typical)
Output referenced idle noise	A-weighted; 45 μV (typical) Un-weighted, BW=20 kHz; 60 μV (typical)
Nominal voltage gain relative to differential input voltage	f = 1 kHz, SE; 25.8 dB (typical)
Frequency Response	10Hz – 20kHz 4 Ω, 8 Ω, Open load, ±0.4 dB (typical)

*An Audio Precision AES17 20 kHz 7th order measurement filter is used for measurements. The frequency 6.67 kHz corresponds to the worst-case scenario where both 2nd and 3rd harmonics are within the audio band.

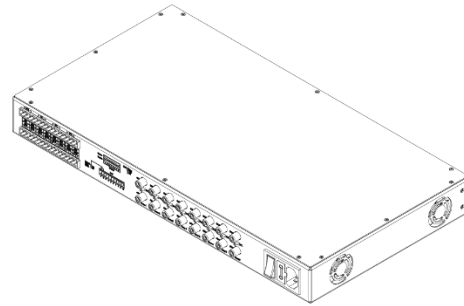
For a more detailed pictorial drawing please visit: <http://www.amx.com/products/ALR-AMP.asp>



ALR-AMP
(Top View)



ALR-AMP
(Front View)



ALR-AMP
(Isometric Views)



ALR-AMP
(Back View)



ALR-AMP
(Right View)

About AMX

AMX hardware and software solutions simplify the implementation, maintenance, and use of technology to create effective environments. With the increasing number of technologies and operating platforms at work and home, AMX solves the complexity of managing this technology with reliable, consistent and scalable systems. Our award-winning products span control and automation, system-wide switching and audio/video signal distribution, digital signage and technology management. They are implemented worldwide in conference rooms, homes, classrooms, network operation / command centers, hotels, entertainment venues, broadcast facilities, and more. ©2014 AMX. All rights reserved. Specifications subject to change. Revised 20-November-2014.

AMX.com | 800.222.0193 | 469.624.8000 | +1.469.624.7400 | fax 469.624.7153