



---

The VRack suspension frame is crafted of 6061-T6 aluminum and welds are all 4043 filler. It includes 7 (seven) attachment holes for fitting 5/8" rated shackle with the pin through the hold of the perforated rigging bar. The maximum load capacity of this frame is 1,200 pounds (5080 kg).

The frame includes male and female fork connectors to allow for VRacks to be assembled side by side. Each frame shall be independently rigged and care should be taken when to maintain consistent level during the suspension process. Also included are front and rear cable pick points. These points have a maximum allowable load of 50 pounds (22.6 kg) and shall be included in the overall 1,200 pound allowable rigging load.

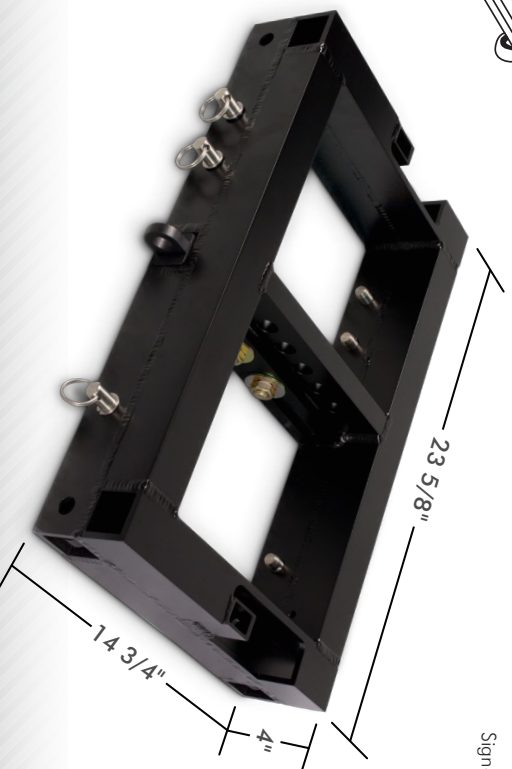
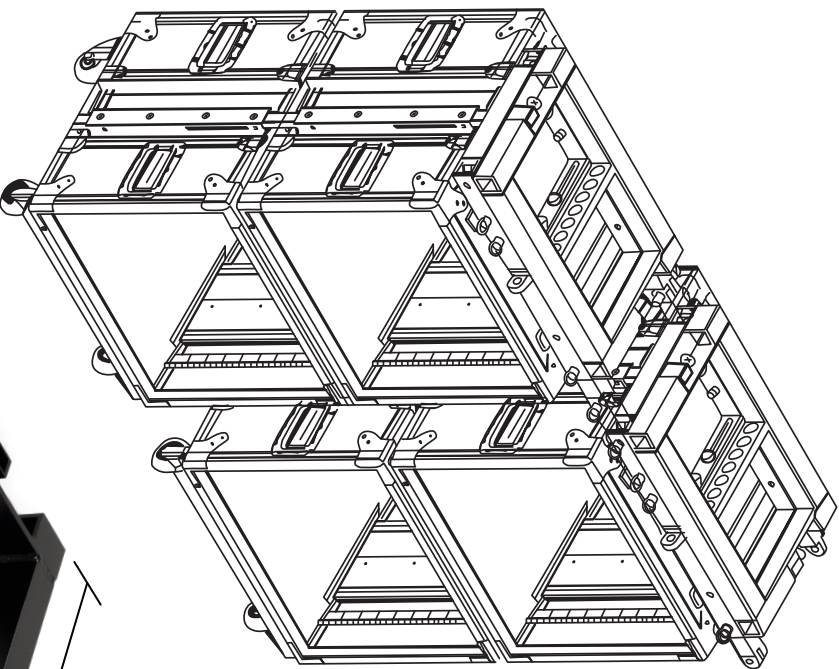
The frame is compliant for the United States, International compliance is pending.

#### **Codes and Standards**

##### **American Institute of Steel Construction, Steel Construction**

- Manual, 13th ed.
- 2009 International Building Code
- American Society of Civil Engineers, ASCE 7-05
- American Society of Civil Engineers, ASCE 37-02
- The Aluminum Association, 2005 Aluminum Design Manual
- ANSI E1.21-2006, Entertainment Technology, Temporary Ground-Supported Overhead Structures Used to Cover the
- Stage Areas and Support Equipment in the Production of Outdoor Entertainment Events
- ANSI E1.2 - 2006, Entertainment Technology - Design, Manufacture and Use of Aluminum Trusses and Towers

# V Rack Suspension Frame



## DECLARATION OF CONFORMITY

\*EC\* Declaration of Conformity of a machine with the Machinery Directive (2006/42/EC, as amended) and regulations for transposing it into national law.

THE MANUFACTURER: MT Custom Cases

569 N. Edgewood, Wood Dale, IL 601191

THE AUTHORIZED REPRESENTATIVE (Tom Heslin, MT Custom Cases, 569 N. Edgewood, Wood Dale, IL 60191) acting on behalf of the manufacturer (MT Custom Cases, 569 N. Edgewood, Wood Dale, IL 60191)

HEREBY DECLARES THAT THE MACHINERY DESCRIBED BELOW:

AMP RACK RIGGING FRAME, including:

- 100-20-007 Rigging Bracket
- 100-20-008 Rigging Tube
- 100-70-003 Rigging Bar
- 100-70-004 Quick Release Pin Assembly
- 100-70-005 Rigging Tube Shoulder Bolt Assembly
- 200-10-001 VRack Fly Frame
- 200-10-002 Cable Pick Arm - Front
- 200-10-003 Cable Pick Arm - Rear
- 200-10-004 Cable Pick Arm - Female
- 200-10-005 Cable Pick Arm - Male

COMPLIES WITH THE PROVISIONS OF THE "MACHINERY" DIRECTIVE (DIRECTIVE 2006/42/EC, as amended) AND REGULATIONS TRANSPOSING IT INTO NATIONAL LAW.

Signed

Jeff Demman  
Sr. Director of Manufacturing

Date of Issue: June 19, 2013

This VRack suspension frame should be procured directly through M. T. Case, a HARRMAN Professional approved vendor  
Please contact Tom Heslin at [theslin@mtcases.com](mailto:theslin@mtcases.com) or +1 (866) 682-2737 ext 170 for more information.